

MECHANICAL SPECIFICATIONS

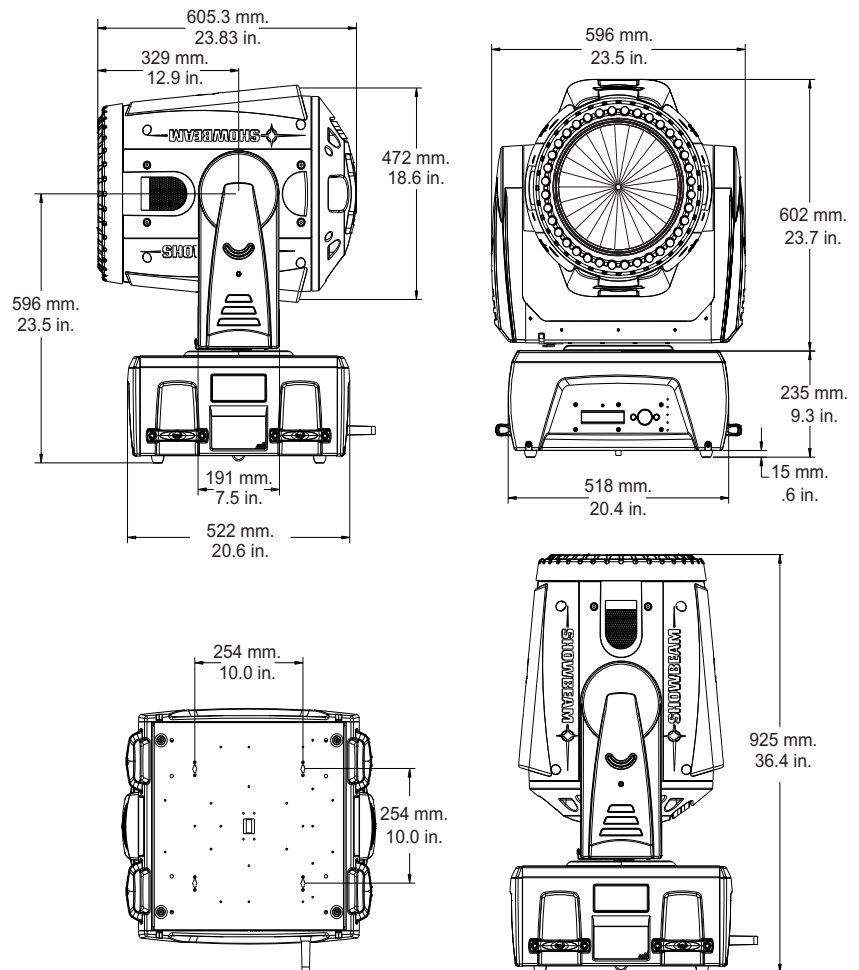
FIXTURE	ROAD CASE
Dimensions:	Dimensions:
mm: 596 x 605 x 925	mm: 749 x x 724
in: 23.5 x 23.8 x 36.4	in: 29.5 x 47.25 x 28.5

Fixture Weight: 66.2 kg (146 lb)

Shipping Weight: (Road Case + fixture) 120 kg (266 lb)

Mounting Information: The SHOWBEAM™ fixture can be truss mounted using 1/4 camlock c-clamps or style pole mounting brackets. It can also stand upright on a stable surface.

Colors Available: Black



ELECTRICAL SPECIFICATIONS/ LIGHT SOURCE

Power Consumption: 18 Amps at 200V, 15 Amps at 240V

Lamp: PHILIPS MSR 2500/2

Power;	2500W
Color Temperature:	7000K
Barco Rated Lamp Life:	1250 hrs
CRI:	>80
CIE:	X=.320; Y=.330

OPERATION

Pan: 420°

Tilt: 216°

Zoom Range: 11°–42°

Fixture Output: 140,000 Lumens*

Twin Beam Effect: Optically separates the single beam into two discrete beams with variable control

DMX/RDM Connectors: 5-pin XLR

Environmental Specifications:

Maximum Ambient Temperature (T _a)	45°C (113°F)
Maximum Exterior Surface Temperature	150°C (302°F)
Minimum Projection Distance to Flammable surface	6 m (19.7 ft)
Minimum Focus Distance to Non-flammable object	3 m (9.8 ft)

Compliances: ETL, CE

* 3 points (center, middle, and edge)

PART NUMBERS

Fixture

A7010001: SHOWBEAM fixture, Black

Accessories

55030087: Replacement Lamp

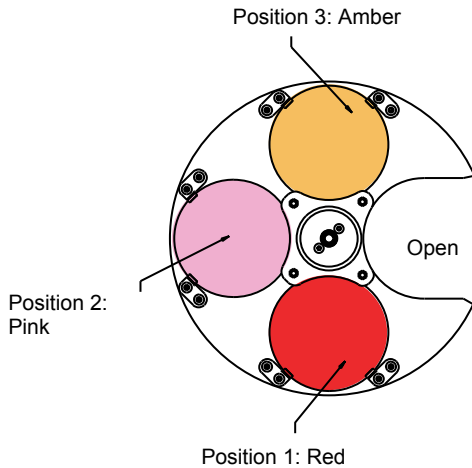
DMX Channels

Channel	Function
1	Pan
2	
3	Tilt
4	
5	Color Mix Function
6	Cyan
7	Magenta
8	Yellow
9	CTO
10	Static Color Function
11	Static Color Position
12	Twin Beam
13	Twin Beam Rotate Function
14	Twin Beam Rotate
15	
16	Twin Beam Deviation

Channel	Function
17	Zoom Bypass
18	Zoom
19	Shutter/Lamp Functions
20	Shutter
21	Dim
22	Mspeed
23	Macro
24	Control
25	LED Tracking Ring Dim
26	LED Tracking Ring Function
27	LED Tracking Red
28	
29	LED Tracking Green
30	
31	LED Tracking Blue
32	

Fixture/Universe: 17

Fixed Color Wheel



© 2011, Barco Lighting Systems. All specifications subject to change without notice.